

KLR650

Homepage

Contact Me

You must remove the "REMOVE-THIS" in my email address for it to work.

Links

Miscellaneous Info

D.I.Y. Tips

Grease 101

Technical Articles

A1 Brochure

Conversions

KLR650 FAQ

Painting Plastic

Forms

Maintenance Log

Shim Record Chart

Pictures

Corbin Saddle

Procedures in PDF

12v Waterproof Outlet

This is a hobby website dedicated to the Kawasaki KLR650 motorcycle. I make no claim concerning the accuracy of the procedures, nor do I guarantee the success of any work done using them. All users of the material found here are advised that there is no real or implied warranty associated in any way with the website content, and that all content available here is for use at your own risk.

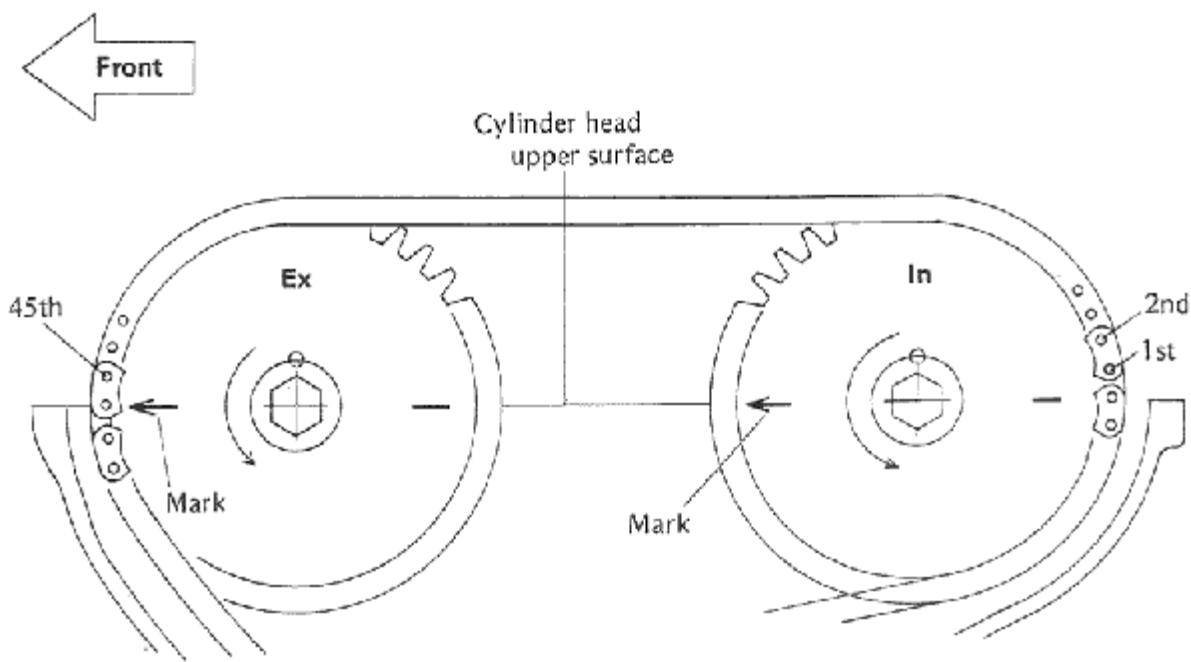
Copyright © 2001 Mark's KLR Pages

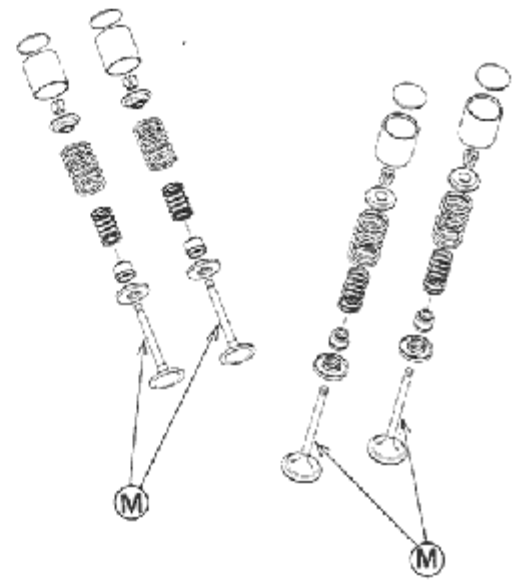
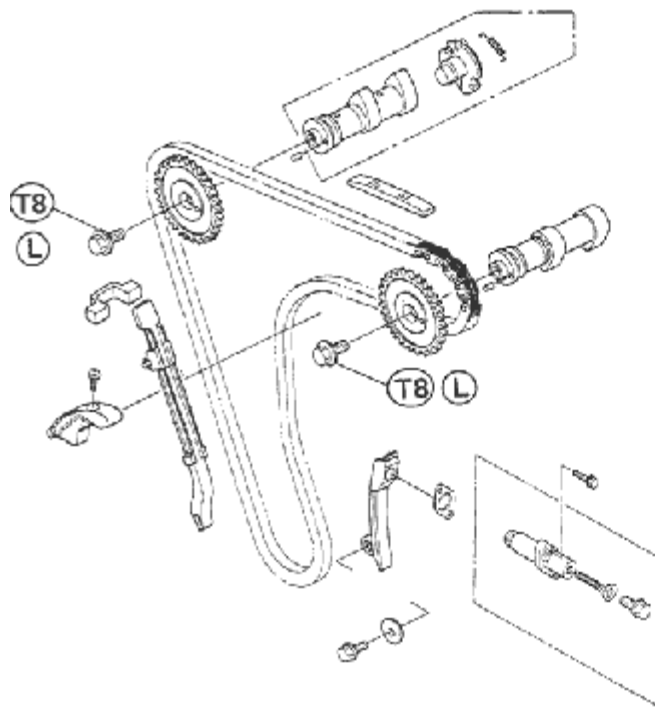
All Rights Reserved

No copying or other redistribution by any method will be permitted without my express written permission.

CAM CHAIN TIMING

Thanks to Barnaby Robson for his Photoshop cleanup of these scans!





Acerbis Disk
Installation

Balancer
Adjustment

Brake Pads

Cam Chain
Timing

Carb Air Mixture

Carb Rain T-Mod

Decalifornication

Doohickey
Upgrade

Easy Lift

Fork Oil Change

Horn Upgrade

Hydraulic Clutch

JC Whitney
Trunk

Maier Woods Pro

Mirror Mount
Repair

Oil Screen
Cleaning

TIME-SERT

Radiator Cooling
Mod

Ramp Loading

Safety Switch
Bypass

Shark Fin
Installation

Shim Storage
Box

Shim Value
Table

SuperBrace

Swingarm Maint

Torque Values

Tube Valve
Tools

Valve
Adjustment

Vista-Cruise
Lock

Water Pump
Seals

Wheel
Alignment